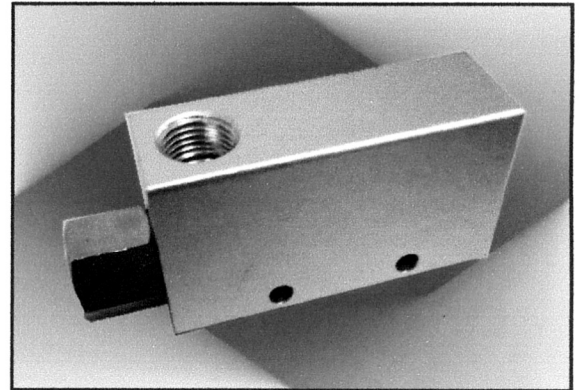


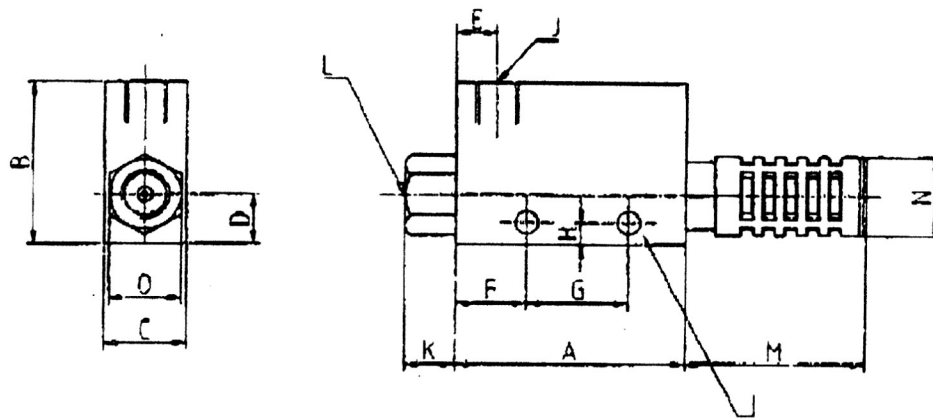


# ECONOMIC TYPE VACUUM ENJECTOR



| TYPE     | NOZZLE<br>DIAMETER<br>( $\psi$ mm) | VACUUM FLOW<br>l/Min (ANR) | MAXIMUM<br>VACUUM<br>DEGREE<br>(-kpa/mmHg) | AIR<br>CONSUMPTION<br>(l/Min) |
|----------|------------------------------------|----------------------------|--|-------------------------------|
| VEJ-10HS | 1.0                                | 27                         | 91.8 (690)                                 | 44                            |
| VEJ-15HS | 1.5                                | 62                         | 91.8 (690)                                 | 100                           |
| VEJ-20HS | 2.0                                | 105                        | 91.8 (690)                                 | 180                           |
| VEJ-25HS | 2.5                                | 150                        | 91.8 (690)                                 | 265                           |
| VEJ-30HS | 3.0                                | 220                        | 91.8 (690)                                 | 385                           |

## DIMENSIONS



| TYPE     | A   | B  | C  | D  | E  | F  | G  | H   | I             | J   | K  | L   | M  | N  | O  |
|----------|-----|----|----|----|----|----|----|-----|---------------|-----|----|-----|----|----|----|
| VEJ-10HS | 45  | 33 | 16 | 10 | 8  | 14 | 20 | 4.5 | 2- $\psi$ 4.2 | 1/8 | 10 | 1/8 | 35 | 16 | 14 |
| VEJ-15HS | 63  | 35 | 20 | 11 | 10 | 20 | 25 | 5   | 2- $\psi$ 4.5 | 1/4 | 15 | 1/4 | 55 | 21 | 17 |
| VEJ-20HS | 85  | 40 | 25 | 15 | 13 | 28 | 32 | 7   | 2- $\psi$ 6   | 3/8 | 20 | 1/4 | 72 | 25 | 24 |
| VEJ-25HS | 100 | 60 | 40 | 20 | 16 | 20 | 50 | 5.5 | 2- $\psi$ 6   | 1/2 | 17 | 3/8 | 83 | 45 | 27 |
| VEJ-30HS | 118 | 60 | 40 | 20 | 20 | 33 | 50 | 5.5 | 2- $\psi$ 6   | 3/4 | 20 | 1/2 | 83 | 45 | 32 |